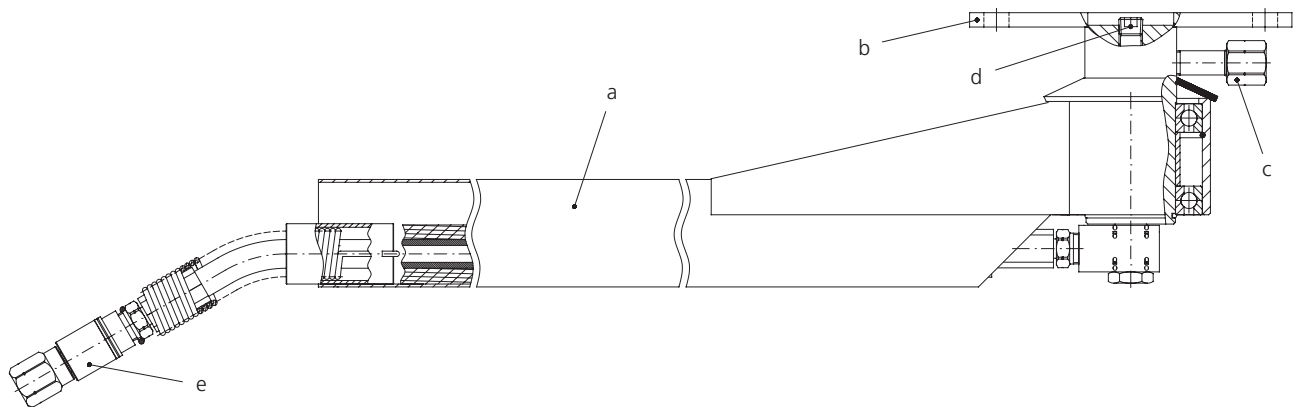


Assembly instructions



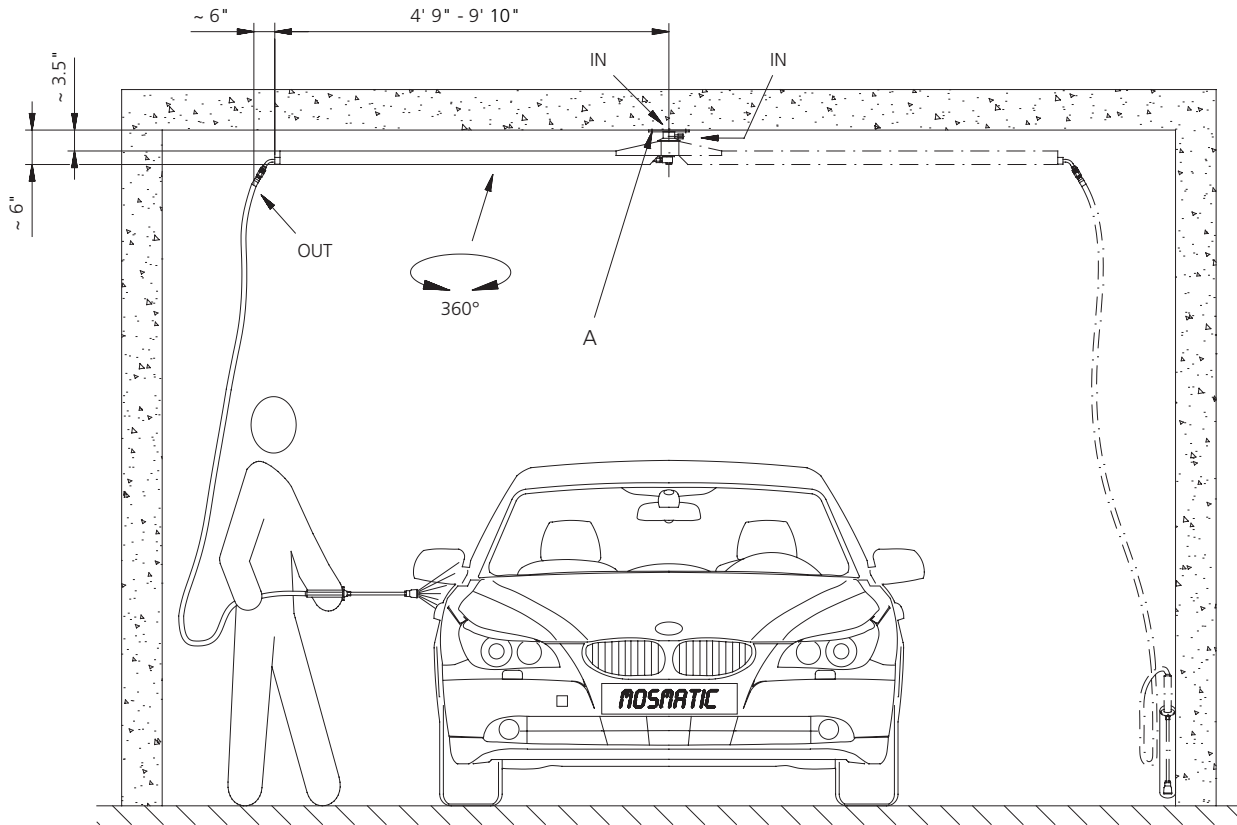
1. Install the ceiling boom (a) with the mounting plate (b) to the concrete ceiling or to the steel beam.
Attention: -bearable hole load (e.g.: bolt 1/2") at least 30'000N
2. Tightly fasten the high pressure hose or the high pressure pipe connection coming from the high pressure pump, to either top or side connection.
- for side inlets: mount adapter (c) on the sides and plug top inlets with stud bolt (d).
- for top inlets: mount adapter (c) on top and plug side inlets with stud bolt (d).
3. Tightly fasten the high pressure hose coming from the gun or the brush to the swivel (e).



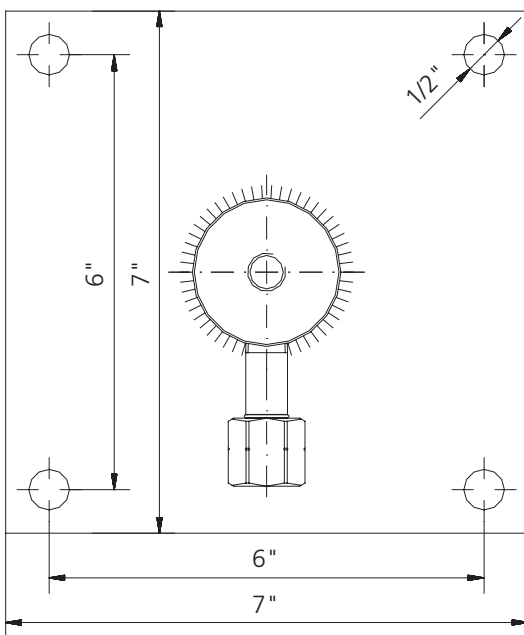
For your own safety

- Read all instructions before the initial operation. Check their proper condition and that they operate safely.
- Our products should only be installed by experienced users of high pressure equipment
- Always use protection gear when using products connected to high pressure.
- Never direct any high pressure water-jet at humans, animals or electric installations.
- Before any maintenance or nozzle-change, turn off the high pressure water supply, e.g.: turn off and secure the power switch.
- Safety regulations and guidelines (Accident Prevention Rules) from the manufacturer of your high pressure cleaner are applicable.
- Nozzle installation according to Nozzle manufacturer.
- No modifications to the unit are permitted.

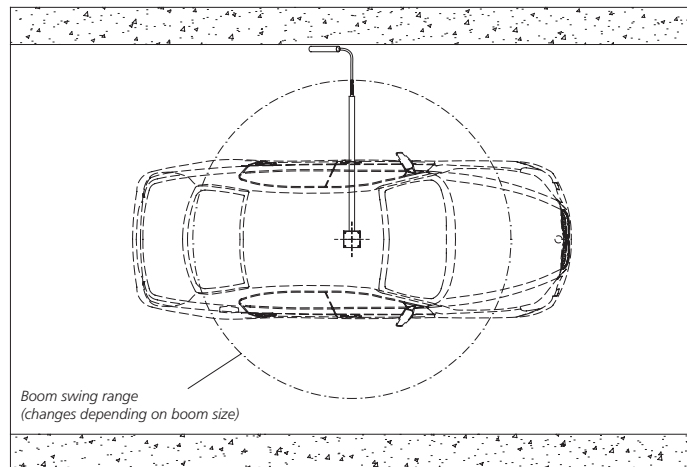
Application Concept



A



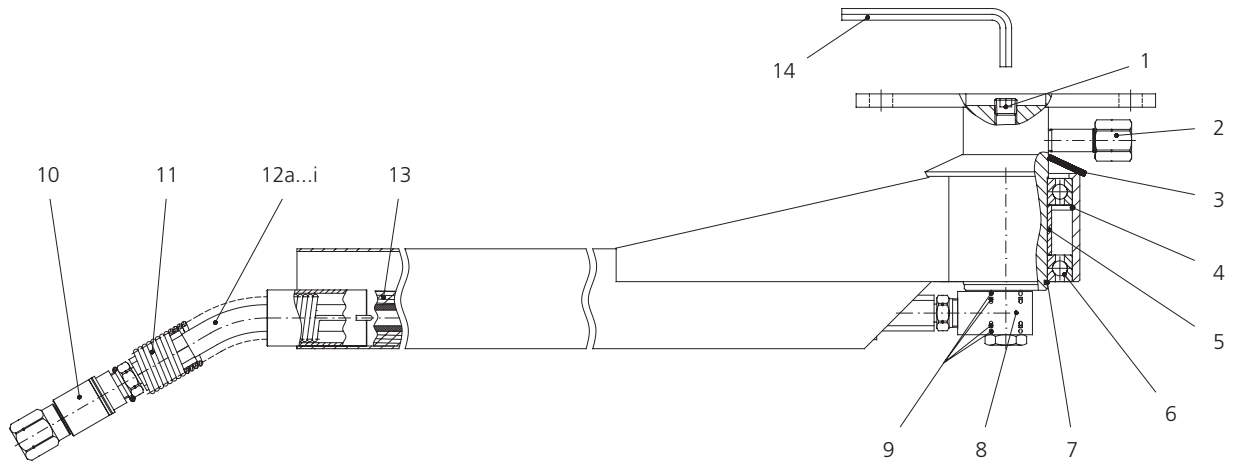
Top View



Mounting plate (A)
 Thickness: 5/16"
 bearable hole load: min. 30'000N (e.g.: bolt 1/2")
 • other versions and sizes upon request

⚠ We recommend checking swivel-connections once a year for normal wear and tear.
No greasing required

Spare parts List



Pos.	Part No.	Description
1	901.043	Stud bolt G1/4"×M
2	51.909	Adapter (G1/4"×M) - 3/8"NPT-F (swiveling)
3	37940	Rubber cone
4	38155	Retaining ring for bore
5	37569	Spacer
6	12295	Ball bearings
7	37840	Snap ring for shaft
8	40.019	Swivel 90°
9	40.502	Seal-Kit for Swivel 90° (*)
10	30.654	Swivel (3/8"NPT-F) - 3/8"NPT-F
11	901.858	Tension spring
12a	901.860	HP-Hose for arm L = 4' 9"
12b	901.862	HP-Hose for arm L = 5' 3"
12c	901.864	HP-Hose for arm L = 5' 9"
12d	901.865	HP-Hose for arm L = 6' 3"
12e	901.866	HP-Hose for arm L = 6' 9"
12f	901.867	HP-Hose for arm L = 7' 5"
12g	901.868	HP-Hose for arm L = 8' 2"
12h	901.869	HP-Hose for arm L = 9'
12i	901.870	HP-Hose for arm L = 9' 10"
13	900.275	Insulation hose, black
14	901.080	hexagon socket wrench (allen wrench)

*** Exchange with seal-service-set V-1346
(please ordered separately)**